

Ultrablade® Exit

Sophisticated and Stylish!



- One box solution complete with "EXIT" and "Pictograph" diffuser inserts for all diffuser combinations.
- Recessed exit that compliments the Swingblade® exit.
- Compact low profile gear tray needs only 75mm of ceiling space to install.
- Energy efficient and low maintenance 50,000 hour cold cathode lamp.
- Single point, Clever-test® or Zoneworks® computerised testing options available.

ONE BOX: BOTH STANDARDS



All these inserts come standard with each Ultrablade®.

High technology and good looks ...

Clevertronics has combined a number of key design features and technologies to create the Ultrablade® recessed exit.

The sophisticated good looks of the Ultrablade® satisfy architectural requirements for a premium recessed exit without sacrificing ease of installation and long service life.

Its strong low profile extruded aluminum body and smart design means only 75mm of ceiling space is required for installation.

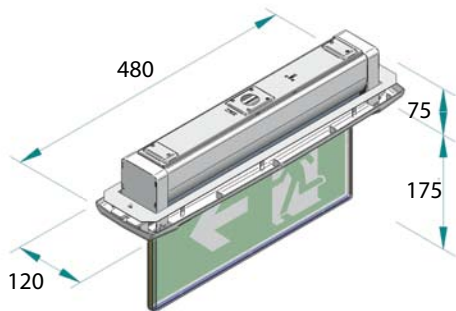
The Ultrablade® recessed exit uses proven energy and lumen efficient cold cathode lamp technology combined with switchmode electronics and a high temperature Nickel Cadmium battery pack.

Ultrablade® uses a flat panel diffuser, identical to that used with the Clevertronics Swingblade® exit, with drop-in legend inserts secured by a patented tamper proof legend cover.

All diffuser combinations of single-sided or double-sided, with or without arrows, "EXIT" or "Pictograph" options can be configured on site from the one box.

Clevertronics Ultrablade® is available in single point units (SPU), Clever-test® or Zoneworks® computer monitoring options.

Ultrablade® Exit



DIMENSIONS (mm)
CEILING CUTOUT 430mm x 70mm



ORDERING INFORMATION

Detailed specification details available for download from Clevertronics website.

ULTRABLADE EXIT	TESTING OPTIONS			PHOTOMETRICS	
	Description	Standard	Clever-test®	Zoneworks®	C0
Cold Cathode Maintained	PUB4	DUB4	ZUB4	E1.25	C1.25

SPACING TABLE

Detailed specification details available for download from Clevertronics website.

Classification	MOUNTING HEIGHTS (m)			
	2.1m	2.4m	2.7m	3m*
C1.25	3.2	3.1	2.8	3.4
E1.25	4.2	4.2	4	3.6

* For mounting height restrictions please refer to AS2293.1

Ultrablade® Exit Features

- Patented industry first, tamper-proof "legend cover" for directional safety signage.
- Unique drop-in legend sheets make changing from "EXIT" to new "Pictograph" a simple task.
- Single-sided or double-sided, wall or ceiling, and all directional options supplied as standard in one box.
- Energy and lumen efficient 50,000 hour cold cathode lamp standard.
- Supplied complete with integral flex and plug for quick electrical installation.
- Robust extruded aluminium luminaire body and diffuser carriage.
- Clip-on ABS ceiling face plate with galvanised steel backing plate.
- High integrity 70°C Nickel Cadmium battery pack.

Clevertronics unique **ONE BOX: BOTH STANDARDS** solution

One box is all you will ever need regardless of what standard you require!

Each of our "ONE BOX: BOTH STANDARDS" exits comes with all the "EXIT" and "Pictograph" inserts all in the box.

One exit, one part number, one price, just open the box and PICK, SLIP AND CLIP.



1. Pick the correct decal



2. Slip it in



3. Clip it shut