

Jumbo Exits

Large Commercial and Industrial



- Jumbo exit for 40 metre viewing distances.
- White powder coated steel body.
- Single Point, Clever-test® or Zoneworks® computer monitored options.
- Standard with high temperature Nickel Cadmium battery packs.
- Available with new AS2293 "Pictograph" or "EXIT" legends.

When size does matter...

The standard "Jumbo" exit uses a 210mm high pictogram for viewing distances up to 40 metres. It uses a steel universal wall or ceiling-mount body with slide in diffusers/backplate for single or double sided configurations.

Clevertronics® Jumbo exits are available as single point units (SPU), Clever-test® or Zoneworks® central computer monitoring options.

Jumbo Exits

ORDERING INFORMATION

Detailed specification details available for download from Clevertronics website.

JUMBO RANGE	TESTING OPTIONS		
	Description	Standard	Clever-test®
2 x 18W* single-sided wall mtd	PJE218S-WM	DJE218S-WM	ZJE218S-WM
2 x 18W* single-sided ceiling mtd	PJE218S-CM-SS	DJE218S-CM-SS	ZJE218S-CM-SS
2 x 18W* double-sided ceiling mtd	PJE218S-CM-DS	DJE218S-CM-DS	ZJE218S-CM-DS

*Sustained

Directional options add E, EL or ER to the above code for exit, exit left or exit right.

Directional options add R, RL or RR to the above code for pictograph, left or right.

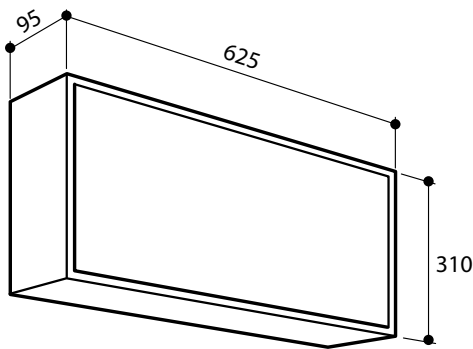


Options:

- IP65 rated Jumbo exits (36m viewing distance). Please refer to the weatherproof brochure for more details

Features:

- High integrity 70° Nickel Cadmium battery packs.
- Large terminal block and cable entry hole minimise installation fuss.
- Single Point, Clever-test® and Zoneworks® computerised testing options available.



Jumbo

CLEVERTRONICS EMERGENCY LIGHTING TEST OPTIONS

Single Point Unit (SPU)	Clever-test®	Zoneworks®
Single point emergency fittings are manually discharge tested via a test switch located at each electrical distribution board. Attendance is required during testing.	Clever-test® emergency fittings automatically discharge test themselves at six monthly intervals. Manual testing can also be performed from each fitting or the electrical distribution board. Attendance is not required during testing.	Zoneworks® emergency fittings have discharge tests programmed by a central server. Testing of individual and/or groups of fittings can be either scheduled or done in real time. Attendance is not required during testing.
Test results can only be determined via visual inspection of each emergency light immediately following 90/120 minute test period.	Clever-test® emergency fittings have a multi-function LED status indicator. Test results can be determined via visual inspection of this indicator at any time after a test.	Test results are accessed via menu on the Zoneworks® server. Results of all site tests can be viewed at any time. Visual inspection of individual fittings is not required.
Test results are recorded manually in a site log book.	Test results are recorded manually in a site log book.	Test results as well as detailed battery and lamp status reports, are recorded by the Zoneworks® server. Printed reports are available.

Clever-test® emergency fittings use an on board micro processor controller to automate testing without the need for a central PC or network. The Zoneworks® computerised testing system utilising powerline carrier technology (PLC) to communicate to emergency fittings. This leading edge technology delivers significant savings in both installation and maintenance costs on medium to large sites.