

# Supalite Flood Unit

## Commercial and Industrial



- Complete range of 10W, 12W & 35W tungsten halogen lamped emergency flood units.
- Single point, Clever-test® or Zoneworks® computer monitored options.
- Powder coated steel or IP65 weatherproof poly-carbonate luminaire housing.



## Emergency flood units that are built to last

Clevertronic's Supalite range provides a wide selection of emergency flood units for commercial and industrial use. Supalite flood units can provide indirect\* emergency lighting where it is not possible to mount conventional emergency lighting, e.g. factory/warehouse applications or outside areas such as loading docks, car parks and evacuation assembly points.

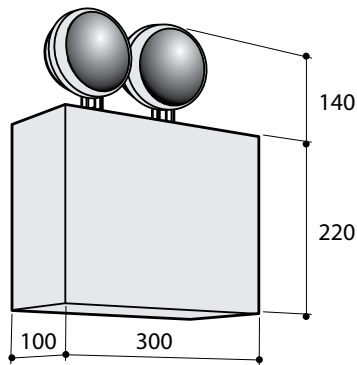
Supalite flood units are available with 10W, 12W or 35W tungsten halogen lampheads. All models use SLA standby batteries charged by constant potential battery chargers for long life.

Supalite floods use an industrial duty powder coated steel control unit that can be wall mounted or positioned on a suitable support. Optional weather proof versions are available for areas where moisture and/or dust is prevalent. Lamp heads can be easily positioned to cover the egress path. Each standard unit comes prewired with a flex and plug.

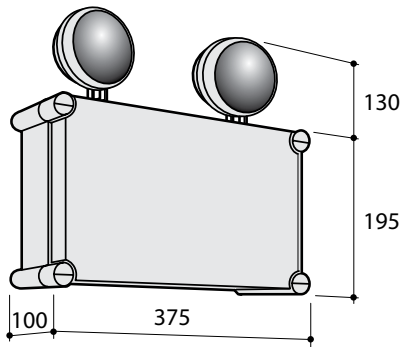
Clevertronics Supalite flood units are available as single point units (SPU), Clever-test® or Zoneworks® computer monitoring options.

\*As classified under current AS2293.2005 evacuation lighting standard

# Supalite Flood Unit



TWIN HEAD SUPALITE



WEATHERPROOF SUPALITE

## ORDERING INFORMATION

For accessories and other models available, please contact our office.

SUPALITE RANGE	TESTING OPTIONS		
	Description	Standard	Clever-test®
2X10W Emergency flood unit	ESF210	N/A	N/A
2X12W Emergency flood unit	PSF212	DSF212	ZSF212
2X35W Emergency flood unit	PSF235	DSF235	ZSF235
2X12W Emergency flood unit IP65	PWF212	DWF212	ZWF212
2X35W Emergency flood unit IP65	PWF235	DWF235	ZWF235

## Features:

- 2x10W 6V white composite lamp heads.
- 6V 12AH sealed lead acid battery.
- White powder coated steel body.
- 1.5m long 3 pin flex and plug.
- Premium range features faceted sealed beam spotlight.
- Weatherproof feature IP65 Polycarbonate luminaire housing.

## CLEVERTRONICS EMERGENCY LIGHTING TEST OPTIONS

Single Point Unit (SPU)	Clever-test®	Zoneworks®
Single point emergency fittings are manually discharge tested via a test switch located at each electrical distribution board. Attendance is required during testing.	Clever-test® emergency fittings automatically discharge test themselves at six monthly intervals. Manual testing can also be performed from each fitting or the electrical distribution board. Attendance is not required during testing.	Zoneworks® emergency fittings have discharge tests programmed by a central server. Testing of individual and/or groups of fittings can be either scheduled or done in real time. Attendance is not required during testing.
Test results can only be determined via visual inspection of each emergency light immediately following 90/120 minute test period.	Clever-test® emergency fittings have a multi-function LED status indicator. Test results can be determined via visual inspection of this indicator at any time after a test.	Test results are accessed via menu on the Zoneworks® server. Results of all site tests can be viewed at any time. Visual inspection of individual fittings is not required.
Test results are recorded manually in a site log book.	Test results are recorded manually in a site log book.	Test results as well as detailed battery and lamp status reports, are recorded by the Zoneworks® server. Printed reports are available.

Clever-test® emergency fittings use an on board micro processor controller to automate testing without the need for a central PC or network. The Zoneworks® computerised testing system utilising powerline carrier technology (PLC) to communicate to emergency fittings. This leading edge technology delivers significant savings in both installation and maintenance costs on medium to large sites.