

# Cleverfit® Exit

## One Box - All Options



- One box solution complete with "EXIT" and "Pictograph" diffuser inserts for all possible diffuser combinations.
- Universal mounting bracket for fast wall or ceiling installation.
- Cold cathode 50,000 hour or T5 5,000 hour lamps.
- Single Point, Clever-test® or Zoneworks® computerised testing options.
- Large terminal blocks and cable entry hole minimise installation fuss.
- High integrity 70°C long life Nickel Cadmium batteries.
- High downward light component - gives the Cleverfit® superior AS2293 spacing classification.

### ONE BOX: BOTH STANDARDS



All these inserts come standard with each Cleverfit® exit.

## Thinking inside the box ...

Introducing a range of exit signs which boast not only premium features, but premium looks as well. Quick installation and reliable performance is only the beginning.

Clevertronics make installation even easier with single-sided or double-sided, wall or ceiling AS2993 "EXIT" or "Pictograph" signage options complete in every box.

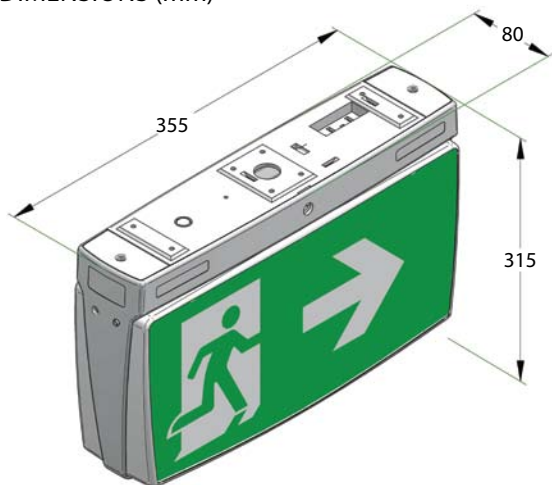
Our state-of-the-art cold cathode Cleverfit® pays for itself through energy and maintenance savings in less than three years.

After installation, compliance testing has never been easier with Clever-test® and Zoneworks® computerised options available across the range. Why waste your valuable time scheduling, performing and then recording emergency lighting discharge tests when the emergency lights can do it themselves?

For more options available please contact Clevertronics.

# Cleverfit® Exit

DIMENSIONS (mm)



## ORDERING INFORMATION

Detailed specification details available for download from Clevertronics website.

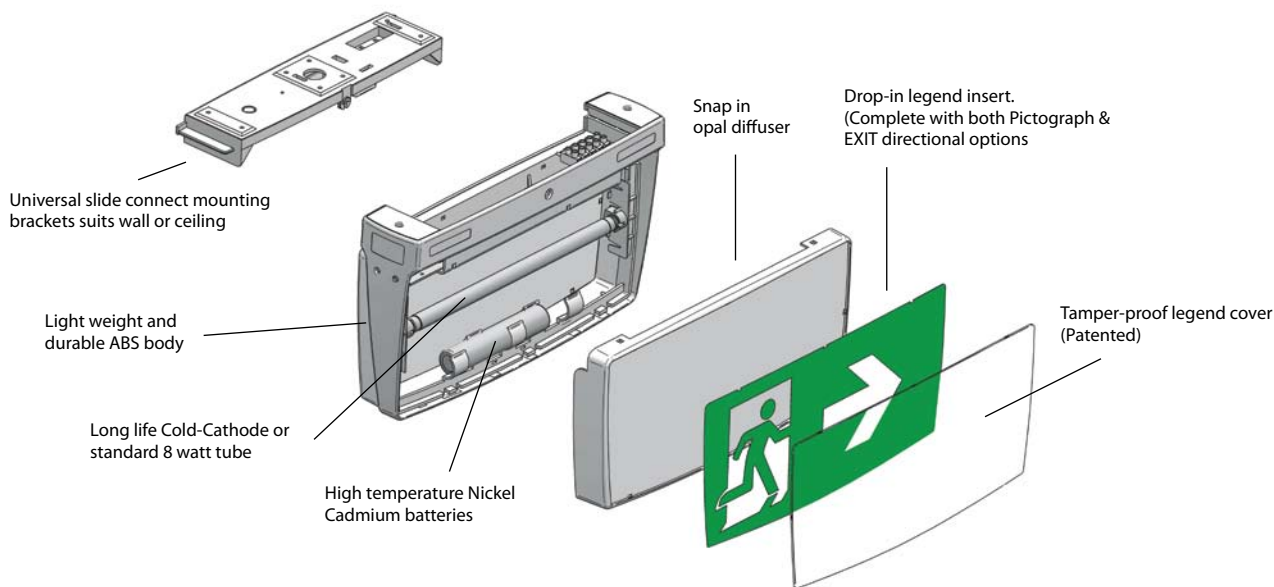
CLEVERFIT RANGE	TESTING OPTIONS			PHOTOMETRICS	
	Description	Standard	Clever-test®	Zoneworks®	C0
8W Maintained	ECF8	DCF8	N/A	E2.5	E2
2X8W Sustained	ECF28S	N/A	N/A	E2.5	E2
4W CCFL Maintained	PCF4	DCF4	ZCF4	D4	E4
8W Theater Mask	ECF8-TH	DCF8-TH	ZCF8-TH	N/A	N/A
4W Theater Mask	PCF4-TH	DCF4-TH	ZCF4-TH	N/A	N/A

## SPACING TABLE

Detailed specification details available for download from Clevertronics website.

Classification	MOUNTING HEIGHTS (m)				
	2.1m	2.4m	2.7m	3m*	4m*
E2	5.2	5.2	5.4	5.2	4.8
E2.5	5.6	5.8	5.8	6.0	5.2
E4	6.2	6.6	7	7.2	7.4
D4	7.2	7.3	7.3	7.3	6.9

\* For mounting height restrictions please refer to AS2293.1



## Clevertronics unique **ONE BOX: BOTH STANDARDS** solution

One box is all you will ever need regardless of what standard you require!

Each of our "ONE BOX: BOTH STANDARDS" exits comes with all the "EXIT" and "Pictograph" inserts all in the box.

One exit, one part number, one price, just open the box and PICK, SLIP AND CLIP.



1. Pick the correct decal



2. Slip it in



3. Clip it shut