

Conventional Box Style Exit



Ceiling mounted Boxlite™ exit



Wall mounted Boxlite™ exit

- Available in wall or ceiling mounted models.
- ABS base and gear tray with tough injection moulded polycarbonate diffusers.
- Standard with high temperature Nickel Cadmium battery packs.
- One box solution complete with "EXIT" and "Pictograph" diffuser inserts for all diffuser combinations.

ONE BOX: BOTH STANDARDS



All these inserts come standard with each Boxlite™.

The standard exit that is built to last!

The updated Boxlite™ uses modern surface mount 105°C rated electronics for longer service life. This combined with high temperature (70°C) Nickel Cadmium batteries, introduce new levels of quality and reliability to the market at a competitive price.

Boxlite™ uses a universal body that is supplied either complete for wall or ceiling mounting. The body uses

a detachable baseplate that is mounted and wired into position first. This then can be plugged in and secured to complete the installation.

All diffuser combinations of single-sided or double-sided, with or without arrows, "EXIT" or "Pictograph" options, can be configured on site from the one box.

Boxlite™ Exit



10W EMERGENCY BOXLIGHT PRISMATIC



CEILING MOUNTED WIREGUARD



WALL MOUNTED WIREGUARD

ORDERING INFORMATION

Detailed specification details available for download from Clevertronics website.

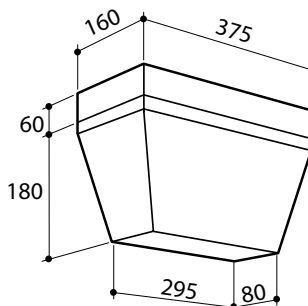
| BOXLITE RANGE | PART NUMBERS | PHOTOMETRICS | |
|--|--------------|--------------|------|
| | | CO | C90 |
| Description | | | |
| 10W Maintained wall mounted | EBL10M-WM | E2 | E1.6 |
| 10W Maintained ceiling mounted | EBL10M-CM | E2 | E2 |
| 2X10W Sustained wall mounted | EBL210S-WM | E2 | E1.6 |
| 2X10W Sustained ceiling mounted | EBL210S-CM | E2 | E1.6 |
| 1x10W Maintained emergency light with prismatic diffuser | EBL10M-WM-PR | D5 | C8 |
| 1x10W Maintained emergency light with opal diffuser | EBL10M-WM-OP | D5 | C8 |
| 1x10W Non maintained emergency light with prismatic diffuser | EBL10N-WM-PR | D5 | C8 |
| 1x10W Non maintained emergency light with opal diffuser | EBL10N-WM-OP | D5 | C8 |

SPACING TABLE

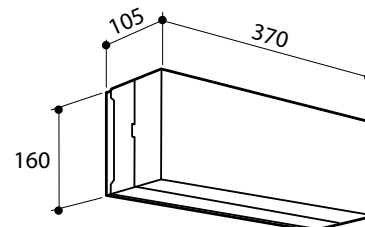
Detailed specification details available for download from Clevertronics website.

| Classification | MOUNTING Heights (m) | | | | |
|----------------|----------------------|------|------|-----|-----|
| | 2.1m | 2.4m | 2.7m | 3m* | 4m* |
| C8 | 6.8 | 7.2 | 7.4 | 7.7 | 8.2 |
| E1.6 | 4.8 | 4.8 | 4.8 | 4.4 | 3.8 |
| E2 | 5.2 | 5.2 | 5.4 | 5.2 | 4.8 |
| D5 | 7.8 | 8 | 8.1 | 8.2 | 8 |

* For mounting height restrictions please refer to AS2293.1



CEILING MOUNT



WALL MOUNT

Clevertronics unique **ONE BOX: BOTH STANDARDS** solution

One box is all you will ever need regardless of what standard you require!

Each of our "ONE BOX: BOTH STANDARDS" exits comes with all the "EXIT" and "Pictograph" inserts all in the box.

One exit, one part number, one price, just open the box and PICK, SLIP AND CLIP.



1. Pick the correct decal



2. Slip it in



3. Clip it shut