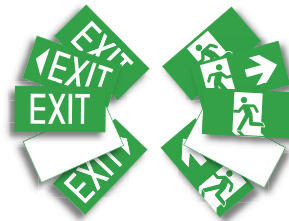


## One Box - All Options



- One box solution complete with "EXIT" and "Pictograph" diffuser inserts for all diffuser combinations.
- High integrity 70°C Nickel Cadmium battery pack.
- Large terminal block and cable entry hole minimise installation fuss.
- Quick connect bracket for fast wall or ceiling mounting.
- Low energy T5 fluorescent lamp.
- Patented industry first, tamper-proof "legend cover" for directional safety signage.
- High downward light component gives the Cleverfit® superior AS2293 spacing performance.
- 12 month warranty.
- See Premium Cleverfit® brochure for LED, Cold Cathode and computerised testing options.

### ONE BOX: BOTH STANDARDS



All these inserts come standard with each Cleverfit®.

Easy to configure on site, easy to order and easy to specify.

## Thinking inside the box...

Introducing a range of exit signs which boast not only premium features, but premium looks as well. Quick installation and reliable performance is only the beginning.

All diffuser combinations of single-sided or double-sided, with or without arrows, "EXIT" or "Pictograph" options can be configured on site from the one box.

The Cleverfit® ECF8 features the same large terminal block and quick-connect bracket as the Cleverfit® Premium LED and CCFL range.

The Cleverfit® ECF8 is a versatile exit suitable for use in front of house applications as well as basement car parks, plant rooms and other back of house areas where the old style Boxlite® exit may have been the preferred option.

Now at the Boxlite® price point, the Cleverfit® ECF8 offers a better looking solution that is also quicker to install and maintain.

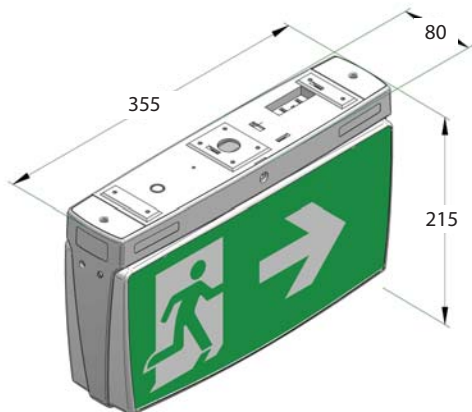
For more options available please contact Clevertronics.

# Cleverfit® ECF8 Exit

## Specifications

### CATALOGUE NUMBERS AND DESCRIPTIONS

Please see Clevertronics website for IES files and latest information.



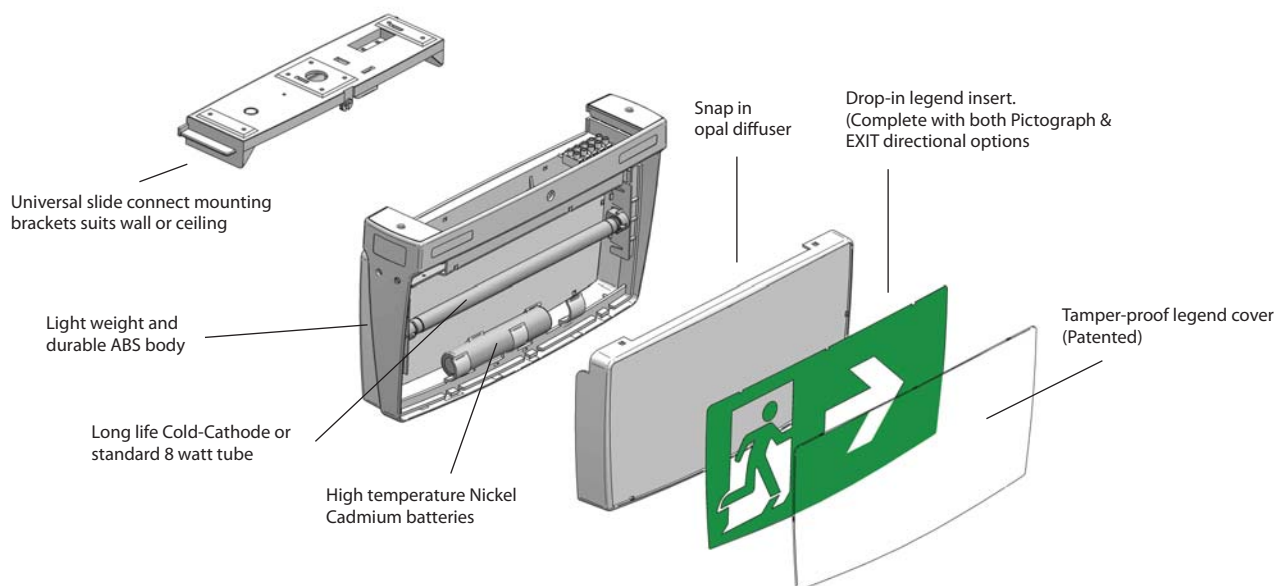
DIMENSIONS (mm)

CLEVERFIT ECF8 EXIT	TESTING OPTIONS			
	Standard	Clever-test	DALI Em	Zoneworks
8w T5 Maintained	ECF8	Please see Premium Cleverfit range for extended testing options.		

Description: Wall or ceiling quick-connect style exit, 8w T5 lamp, high temp Ni-Cad battery, single and double-sided and directional options configurable on-site. Clevertronics Cleverfit ECF8 Exit. AS2293 Classification Co=E2 C90=E1.6

SPACING TABLE	MOUNTING HEIGHTS			
	Classification	2.1m	2.4m	2.7m
E2	5.2	5.2	5.4	5.2
E1.6	4.8	4.8	4.8	4.4

\*Maximum allowed mounting height is 2.7m but for exceptions see AS2293.1 2005



### ONE BOX: BOTH STANDARDS

*Clevertronics patented solution to simplify directional options.*

One box is all you will ever need regardless of what standard you require, because our "ONE BOX: BOTH STANDARDS" exits come with all the "EXIT" and "Pictograph" inserts. One exit, one part number, one price, just open the box and PICK, SLIP AND CLIP.



1 Pick the correct decal



2 Slip it in



3 Clip it shut

Please check our website for your closest Clevertronics office and local representative.

[www.clevertronics.com.au](http://www.clevertronics.com.au)

Due to changes in industry standards and Clevertronics policy of product improvement, specification details are subject to change without notice.